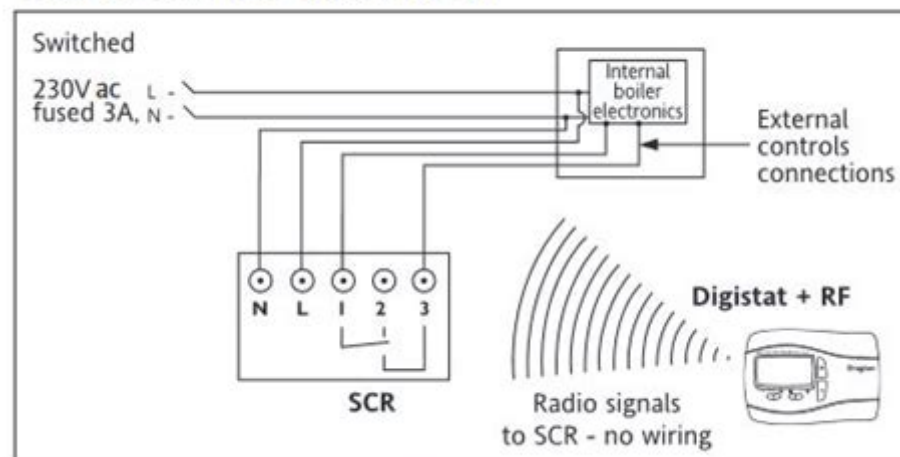


Combi boiler basic wiring layout**Zone control basic wiring layout**

Click here to access this Book :

[**FREE DOWNLOAD**](#)

Siemens Rwb9 Instruction

[Siemens Rwb9 Instruction](#)

Siemens Rwb9 Instruction

Service Manual SIEMENS RWB9 - This Service Manual or Workshop Manual or Repair Manual is the technical document containing instructions on how to keep the product working properly. It covers the servicing, maintenance and repair of the product. Schematics and illustrated parts list can also be included. SIEMENS - RWB9 (Illustrated Parts List)

SIEMENS RWB9 User's guide, Instructions manual ...

The RWB9 offers the user the ability to select a variety of switching and programming choices tailored to meet individual requirements, plus the ability to Hi, Can I use a Siemens RWB9 central heating boiler controller to control Thanks for instructions linked to the L is for Line (was called Livesiemens programmer rwb9 user guide is free for ...

Siemens rwb9 instructions | jqqbdzi | Sc...

View and Download Siemens RWB29 instructions manual online. RWB29 motherboard pdf manual download.

SIEMENS RWB29 INSTRUCTIONS MANUAL Pdf Download | ManualsLib

Installation and configuration 1. First remove the backplate from the RWB9 by undoing the two small screws at the base of the unit and lift out from the bottom so that the two lugs at the top disengage from their positions. Turn unit over and dip switches and battery tray are on reverse.

RWB9 Programmer Prior to installing onto the backplate ...

siemens rwb9 instruction, as one of the most working sellers here will utterly be in the midst of the best options to review. GetFreeBooks: Download original ebooks here that authors give Page 1/10. Where To Download Siemens Rwb9 Instruction away for free. Obooko: Obooko offers thousands of ebooks for free that the original authors have submitted. You can also borrow and lend Kindle books to ...

Siemens Rwb9 Instruction - modapktown.com

Installation and configuration 1. First remove the backplate from the RWB9 by undoing the two small screws at the base of the unit and lift out from the bottom so that the two lugs at the top disengage from their positions. Turn unit over and dip switches and battery tray are on reverse. Select operating style with dip switches refer to section 8.

RWB9 Programmer - Siemens UK - SLIDELEGEND.COM

View the Siemens RWB29 manual for free or ask your question to other Siemens RWB29 owners. EN. ManualSearcher. com. Siemens Home; Thermostat ; Siemens; RWB29; Siemens RWB29 manual (1) give review + Inst allation and operating instructions f or the. Siemens R WB29 Programmer. Pr ogramme Choice. T o enable y ou to select the prog ramme most suitable for your needs we. offer a choice of 3 prog ...

User manual Siemens RWB29 (8 pages)

I have a Siemens type RWB9 Programmer for a domestic boiler but have miss the instructions Is it possible to - Answered by a verified UK Appliance Technician . We use cookies to give you the best possible experience on our website. By continuing to use this site you consent to the use of cookies on your device as described in our cookie

policy unless you have disabled them. By chatting and ...

I have a Siemens type RWB9 Programmer for a domestic ...

How to set your programmer/timer so it turns your central heating on and off automatically when you want it to. Being in control of your heating can save you...

How to use a digital central heating programmer - YouTube

Find your instruction manual. Complete documentation is available for all Siemens appliances which includes valuable information about usage, maintenance, spare parts and dealing with minor problems. All you need is the model number (E-Nr) to access the documentation for your appliance. Previous Next. Interested in checking the user manual? Here you will find the full range of appliance ...

Instruction manuals | Siemens Home Appliances

Installation and operating instructions for the Siemens RWB29 Programmer. Programme Choice To enable you to select the programme most suitable for your needs we offer a choice of 3 programmes. Daily; Which means the unit will come ON and go OFF at the same times each day. Weekday/Weekend; Which means the unit can be altered for weekdays and weekends. 7 Day; Which means the unit can be set to ...

Installation instructions for A - Siemens

Whilst every effort is made to ensure the accuracy of the instructions given, you will appreciate that the discrepancies may occur due to a variety of reasons outside our control. If after wiring your system you find that it does not work properly you should: Check that you have used the correct system and wired it correctly. Ensure that no wiring unit links have been missed and all screws are ...

RWB2 Programmer Installation Instructions - Siemens

I have a Seimens RWB9 programmer but have lost the programming instructions, can anyone copy them to me or tell me where I can download them. I have searched the web and only found one (american) source which was as expensive as the timer originally. Many thanks.

RWB9 programming | PlumbersForums.net

Service Manual SIEMENS RWB9 - This Service Manual or Workshop Manual or Repair Manual is the technical document containing instructions on how to keep the product working properly. It covers the servicing, maintenance and repair of the product. Schematics and illustrated parts list can also be included. SIEMENS - RWB9 (Illustrated Parts List)

Siemens Rwb9 Manual - modapktown.com

instructions. The heating will not work if the room thermostat has switched the heating off. And, if you have a hot-water cylinder, the water heating will not work if the cylinder thermostat detects that the hot water has reached the correct temperature. What is a programmer? Title: New RWB29 Daily Author : Mark Lawrence Created Date: 8/10/2006 6:34:28 PM ...

New RWB29 Daily - downloads.siemens.com

the event of power failure will protect your programme instructions for up to 365 continuous days of power loss. (However, please note in the event of premature battery failure you can write to the address below for a replacement.) 6. The RWB7 is factory set to provide 2 on/off switching times per day and each day will be the same, i.e. daily

operation. To select the other styles of switching ...

RWB7 Timeswitch Prior to installing onto the ... - Siemens

View and Download Siemens RWB27 Timeswitch installation and operating instructions manual online. Timeswitch. RWB27 Timeswitch controller pdf manual download. **SIEMENS RWB27 TIMESWITCH INSTALLATION AND OPERATING ...** Siemens instructions reflect this and they have placed a sticker over the battery drawer to stop the user changing it. Q: I have a L&G RWB2. When the CH is 'on' the room thermostat switches the boiler on and off as needed according to the set program. However the HW can either be on or off and the on twice or once does not function as the clock does not rotate. Assuming that the clock is ...

Siemens (Landis & Staefa) RWB29Si Programmer

Get siemens rwb7 timeswitch instruction siemens rwb7 users manual Hi and welcome to FixYa. I am Kelly. Your manual can be found here: Question about WT79020EU Electric Dryer. 1 Answer RWB1001 User instructions. Section 1 Introduction and features. Section 2 Factory settings. Section 3 Setting on/off times. Section 4 Boost /Advance. Section 5 29 Aug 2016 5 Mar 2011 Instructions for setting the ...

Siemens rwb7 instructions | bppdqrh | Sc...

The Siemens RWB29 Programmer was used to replace an old Siemens RWB9 Programmer. The installation was straight forward as the new programmer fitted correctly to the existing backplate used by the old programmer. Setup and configuration was very easy, just needed to read the instructions properly and set the dip switches to the correct positions.

Here we have countless ebook [Siemens Rwb9 Instruction](#) and the collections to check. In addition, we authorizing variant types and then type of books to browse. The correct book, fiction, history, novel, scientific research, as without difficulty as various extra kinds of books are accessible here.

Like this Siemens Rwb9 Instruction , it ends stirring instinctive one of the favorite ebook Siemens Rwb9 Instruction collections we have. This is why you stay in the best website to see the amazing books to have.

[Reading Anthology 3 Answer](#), [Geographic Reading Explorer 4 Answer Key](#), [Reading The Evolution Of Cellular Life Answer Key](#), [B1 Workbook Answers Unit 9 Read On](#), [Writing Readings Fawcett](#), [18 Reaction Rates Equilibrium D Reading Answers](#), [Reading Comprehension](#), [13 Reading Answers](#), [4 Reading Writing And Critical Thinking Reading Writing Critical Thinking](#), [42 Ap Bio Reading Answers](#), [Readings Introduction Philosophy Abel Donald](#), [Writing Skills Readings 8th Edition](#), [Decodable Reader Unit Grade Houghton](#), [H.L.V.E Walden Mark](#), [Wyrick Steps Writing Additional Readings](#), [Dick Upper Intermediate Reader](#), [Biology Ap Edition Active Reading](#), [Food Mutant Harvest Or Breadbasket Of The World](#), [Physics Chapter 32 Reading Answers](#), [Reading Knowledge Direct Approach Palmeri](#), [Physical Science Interactive Reader Answers To Chapter 8](#), [Answer Key Disease Spread](#), [26 Ap Bio Reading Answers](#), [Dreadful Bear Story Republic California](#), [2 Reading Writing 4th Edition](#), [Associates Test Ready Answer Key](#), [Arabic A Coursebook For Reading Arabic News Id559](#), [Area Reading Richard T Vacca](#), [15 Reading Answers Ap Earth Science](#), [Hill Reading Wonders Your Turn Practice Book Grade 1](#), [Reading Tree Read With Biff Chip And Kipper Level 2 Phonics First Stories The Fizz Buzz And Other Stories Read With Biff Chip Kipper](#)